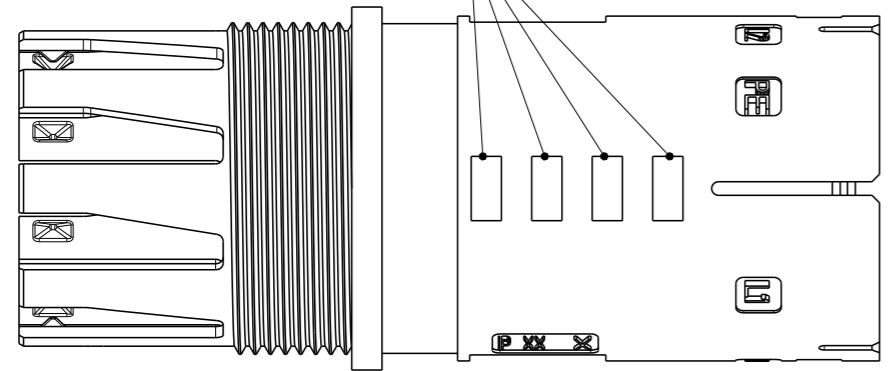
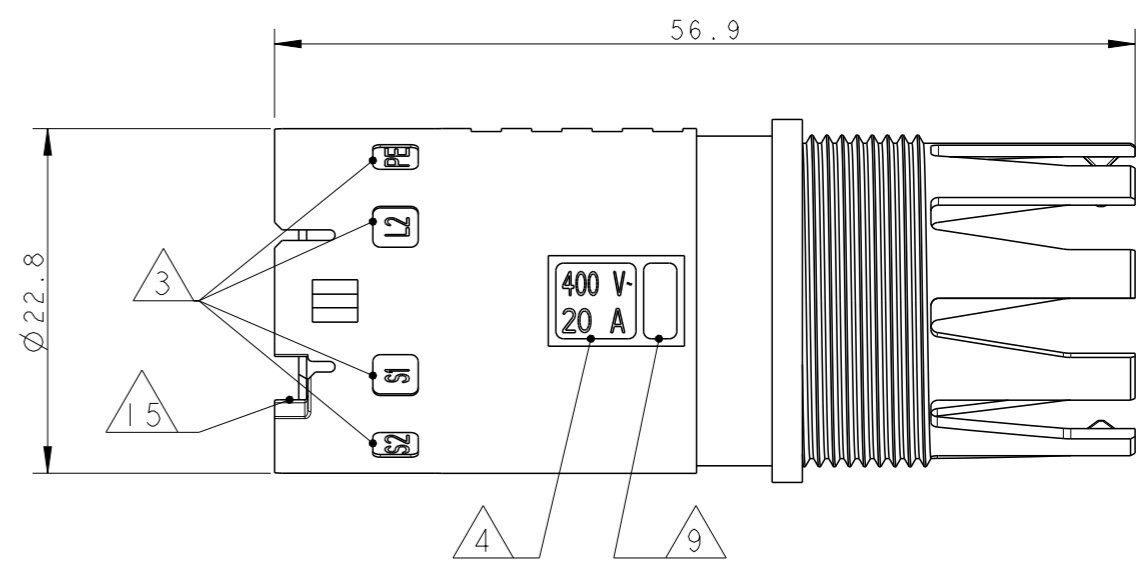
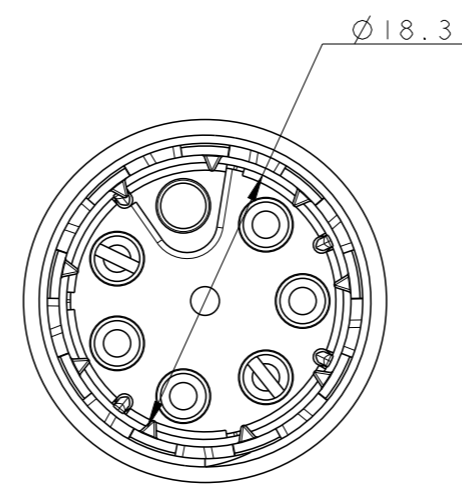
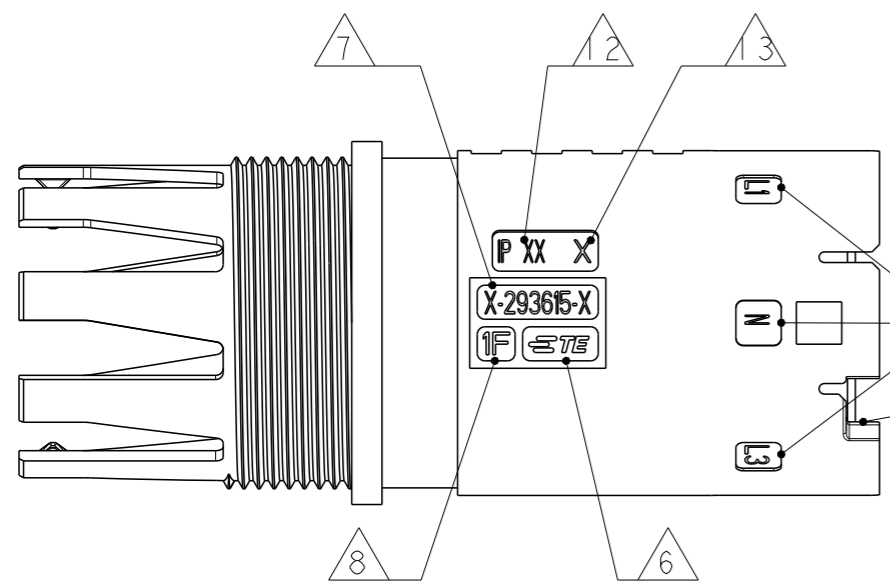


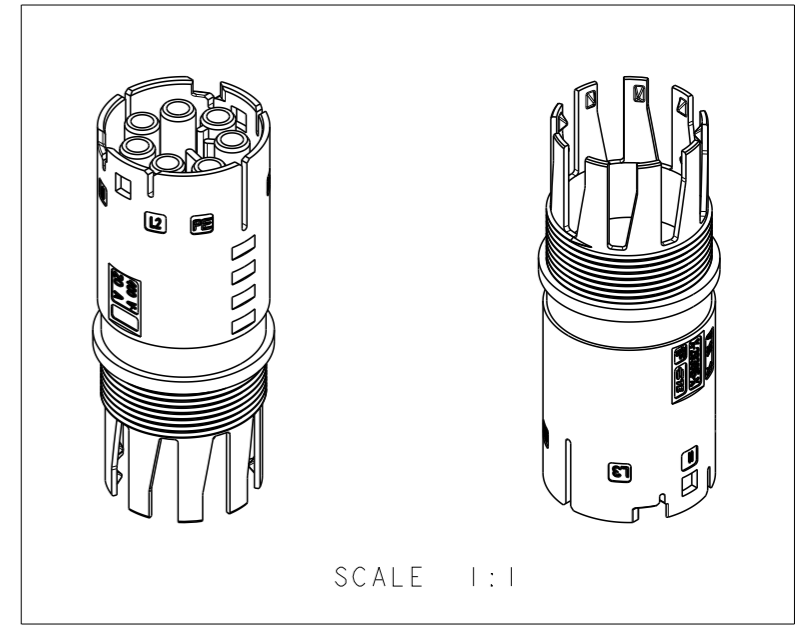
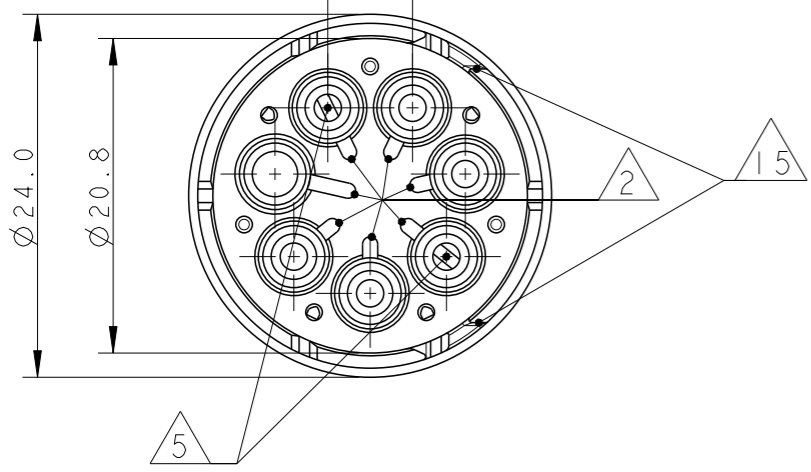
| P | LTR | DESCRIPTION | DATE | DWN | APVD |
|---|-----|-------------------------------|-----------|-----|------|
| 3 | | UPDATED | 20MAY2011 | AB | GT |
| 4 | | REVISED | 02MAY2013 | KR | JC |
| 5 | | UPDATED | 18JUL2013 | MZ | JC |
| A | | PARTS RELEASED FOR PRODUCTION | 12NOV2013 | MZ | JC |



NOTES:

- 1 MATERIAL: PA GF (NATURAL AND BLACK COLOUR)
 - 2 ALL POLARIZATION KEYS SHOWN FOR REF ONLY
 - 3 WAYS I.D.
 - 4 VOLTAGE AND CURRENT RATINGS
 - 5 RIB CLOSING CAVITIES BY CHANGE OVER
 - 6 TE LOGO
 - 7 TE PART NUMBER
 - 8 DATA CODE
 - 9 AREA FOR AGENCIES APPROVAL LOGO
 - 10 VISUAL INDOCATOR FOR PE CONDUCTOR
- 11) SEE C-DRAWING 293682 (LOCKING CAP) TO GET IP 40
- 12 IP CODE
 - 13 CAVITY I.D.
 - 14 POLARISATION KEY "TYPE D" SUITABLE FOR DALI APPLICATION
 - 15 SLOTS TO ALLOW DELATCHING OPERATION. FOR DELATCHING TOOL AND OPERATION REFER TO APPLICATION SPEC.

5.60 PITCH (TYP X7)



| | | | | |
|---|--|-------------------------|--|-----------------|
| THIS DRAWING IS A CONTROLLED DOCUMENT. | | DWN M. ZUCCA 31MAR2011 | TE Connectivity | |
| DIMENSIONS: mm | | CHK M. ZUCCA 31MAR2011 | | |
| TOLERANCES UNLESS OTHERWISE SPECIFIED: | | APVD G. TURCO 31MAR2011 | NAME | |
| 0 PLC ±- 1 PLC ±0.3 2 PLC ±0.20 3 PLC ±- 4 PLC ±- ANGLES ±3° | | PRODUCT SPEC - | SOCKET HOUSING FREE HANGING NECTOR M-LINE 5 POLES UNSEALED VERSION | |
| MATERIAL NOTE 1 | | FINISH - | APPLICATION SPEC - | RESTRICTED TO - |
| | | WEIGHT - | SIZE A3 | CAGE CODE 00779 |
| | | | DRAWING NO C-293615 | REV A |
| | | Customer Drawing | SCALE 2:1 | SHEET 1 OF 2 |

THIS DRAWING IS UNPUBLISHED.

RELEASED FOR PUBLICATION

2011

© COPYRIGHT 2011

ALL RIGHTS RESERVED.

LOC

DIST

REVISIONS

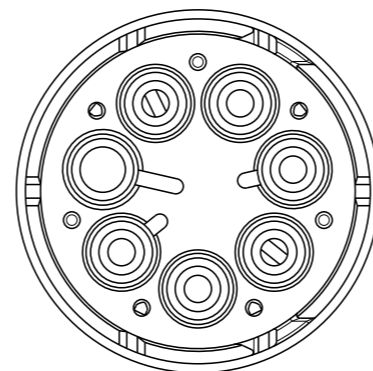
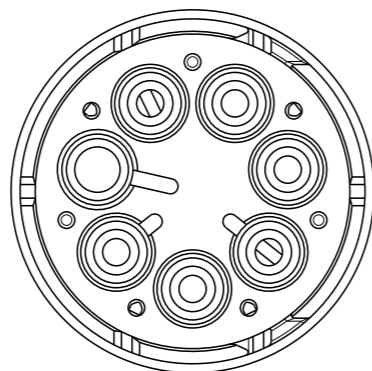
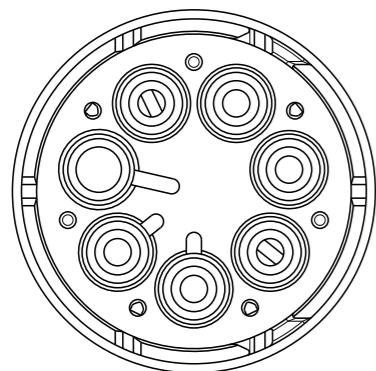
| P | LTR | DESCRIPTION | DATE | DWN | APVD |
|---|-----|-------------|------|-----|------|
| - | - | SEE SHEET 1 | - | - | - |
| | | | | | |
| | | | | | |

POLARIZATION TYPES

POLARIZATION TYPE "A"

POLARIZATION TYPE "B"

POLARIZATION TYPE "C"



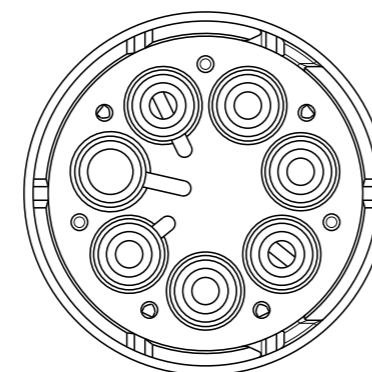
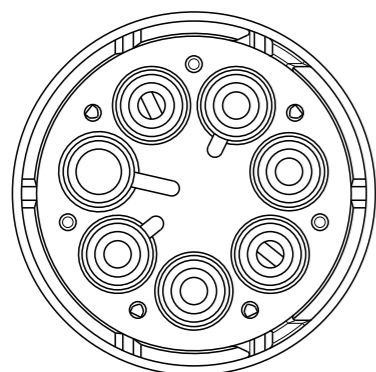
PNs 0-293615-1
AND 1-293615-1

PNs 0-293615-2
AND 1-293615-2

PNs 0-293615-3
AND 1-293615-3

POLARIZATION TYPE "D"

POLARIZATION TYPE "E"



PNs 0-293615-4
AND 1-293615-4

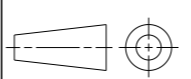
PNs 0-293615-5
AND 1-293615-5

| | | | | | |
|------|-------------|---------|--|------|-------------|
| | E | BLACK | SOCKET HOUSING FREE HANG. NECTOR* M-LINE 5 POLES | A | 1-293615-5 |
| | D | BLACK | SOCKET HOUSING FREE HANG. NECTOR* M-LINE 5 POLES | A | 1-293615-4 |
| | C | BLACK | SOCKET HOUSING FREE HANG. NECTOR* M-LINE 5 POLES | A | 1-293615-3 |
| | B | BLACK | SOCKET HOUSING FREE HANG. NECTOR* M-LINE 5 POLES | A | 1-293615-2 |
| | A | BLACK | SOCKET HOUSING FREE HANG. NECTOR* M-LINE 5 POLES | A | 1-293615-1 |
| | E | NATURAL | SOCKET HOUSING FREE HANG. NECTOR* M-LINE 5 POLES | A | 0-293615-5 |
| | D | NATURAL | SOCKET HOUSING FREE HANG. NECTOR* M-LINE 5 POLES | A | 0-293615-4 |
| | C | NATURAL | SOCKET HOUSING FREE HANG. NECTOR* M-LINE 5 POLES | A | 0-293615-3 |
| | B | NATURAL | SOCKET HOUSING FREE HANG. NECTOR* M-LINE 5 POLES | A | 0-293615-2 |
| | A | NATURAL | SOCKET HOUSING FREE HANG. NECTOR* M-LINE 5 POLES | A | 0-293615-1 |
| NOTE | POL. KEYING | COLOUR | DESCRIPTION | REV. | PART NUMBER |



THIS DRAWING IS A CONTROLLED DOCUMENT.

DIMENSIONS:
mm



TOLERANCES UNLESS OTHERWISE SPECIFIED:

| | | |
|--------|---|------|
| 0 PLC | ± | - |
| 1 PLC | ± | 0.3 |
| 2 PLC | ± | 0.20 |
| 3 PLC | ± | - |
| 4 PLC | ± | - |
| ANGLES | ± | 3° |
| FINISH | - | - |

MATERIAL NOTE 1

DWN M. ZUCCA 31MAR2011

CHK M. ZUCCA 31MAR2011

APVD G. TURCO 31MAR2011

PRODUCT SPEC -

APPLICATION SPEC -

WEIGHT -

Customer Drawing



NAME
SOCKET HOUSING FREE HANGING NECTOR M-LINE 5 POLES UNSEALED VERSION

SIZE CAGE CODE DRAWING NO RESTRICTED TO

A300779 C-293615 -

SCALE 2:1 SHEET 2 OF 2 REV A